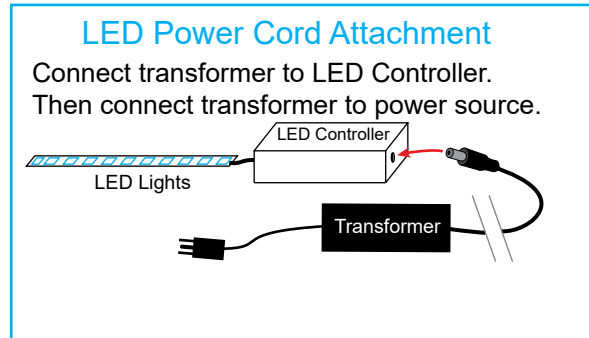
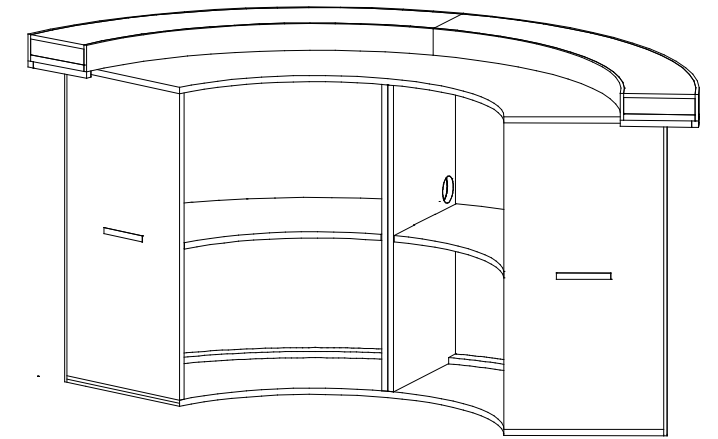
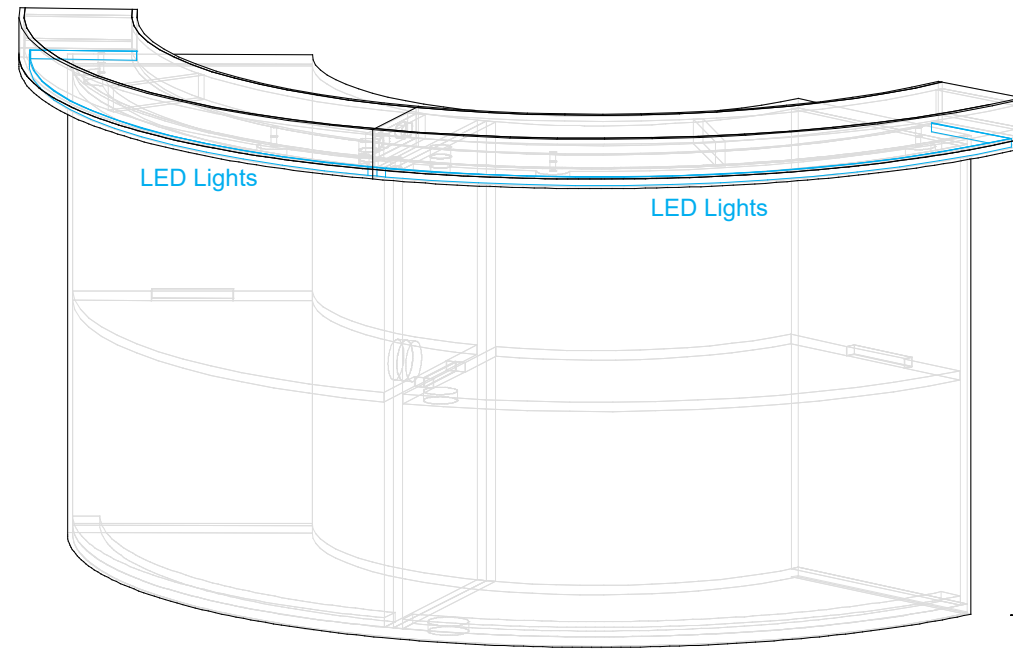
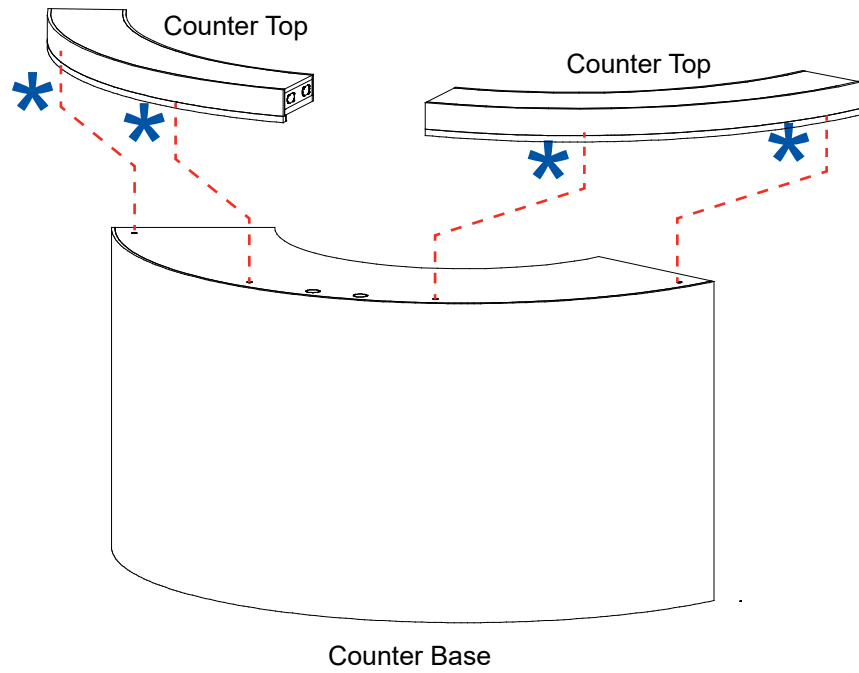
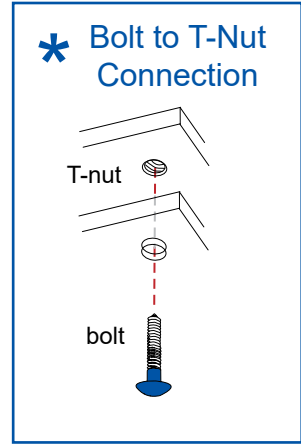


Steps:

- 1) Attach Counter Tops to Counter Base using Bolt to T-Nut Connection.
- 2) Connect power cords to LED lights under counter top.



# SETUP INSTRUCTIONS

CRATE PACKING